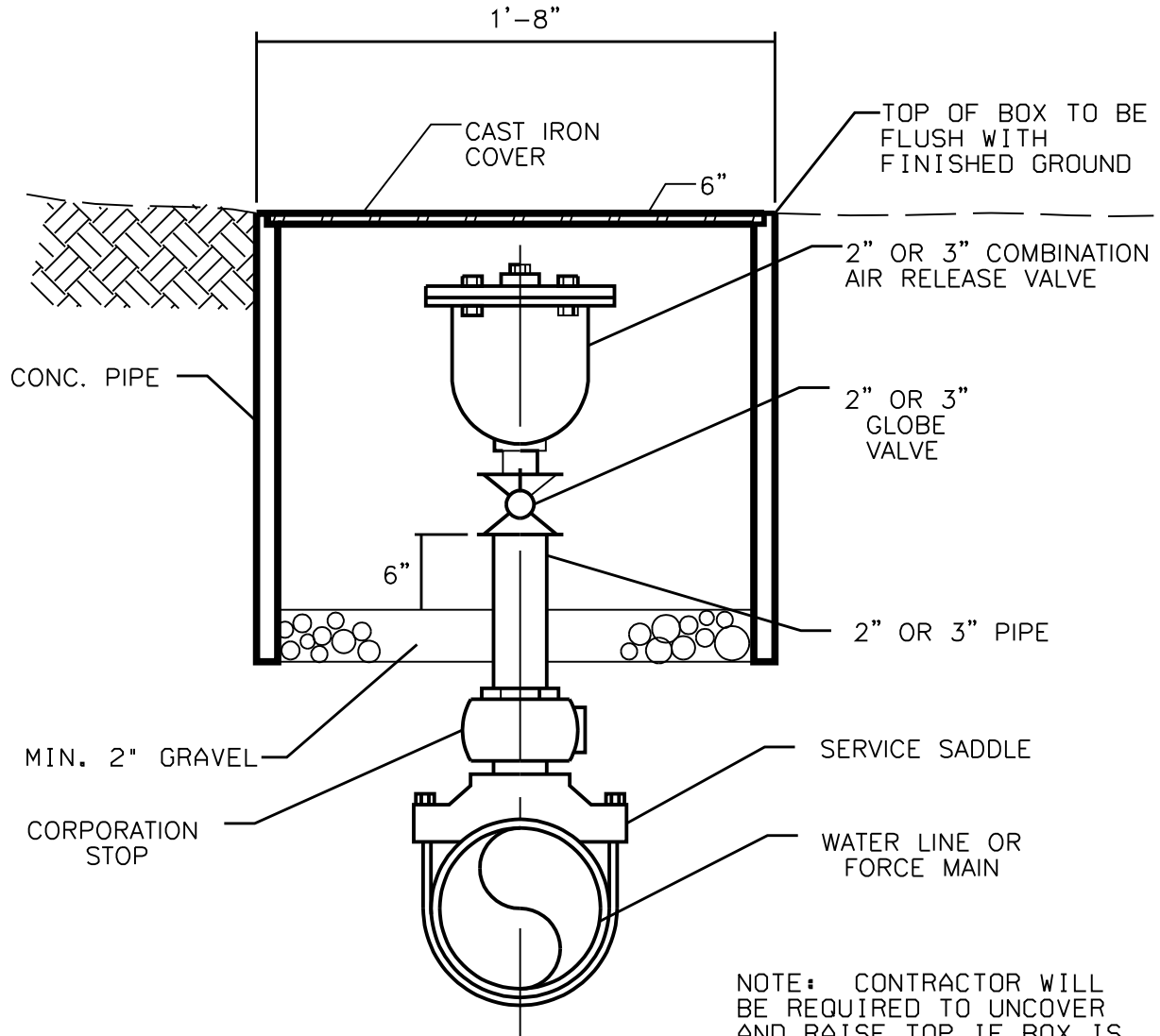


# AIR RELEASE VALVE



NOTE: CONTRACTOR WILL BE REQUIRED TO UNCOVER AND RAISE TOP IF BOX IS NOT AT OR SLIGHTLY ABOVE FINISHED GRADE.

TO BE INSTALLED AT CREST

HALLSDALE POWELL UTILITY DISTRICT

STANDARD DRAWING NO. 5