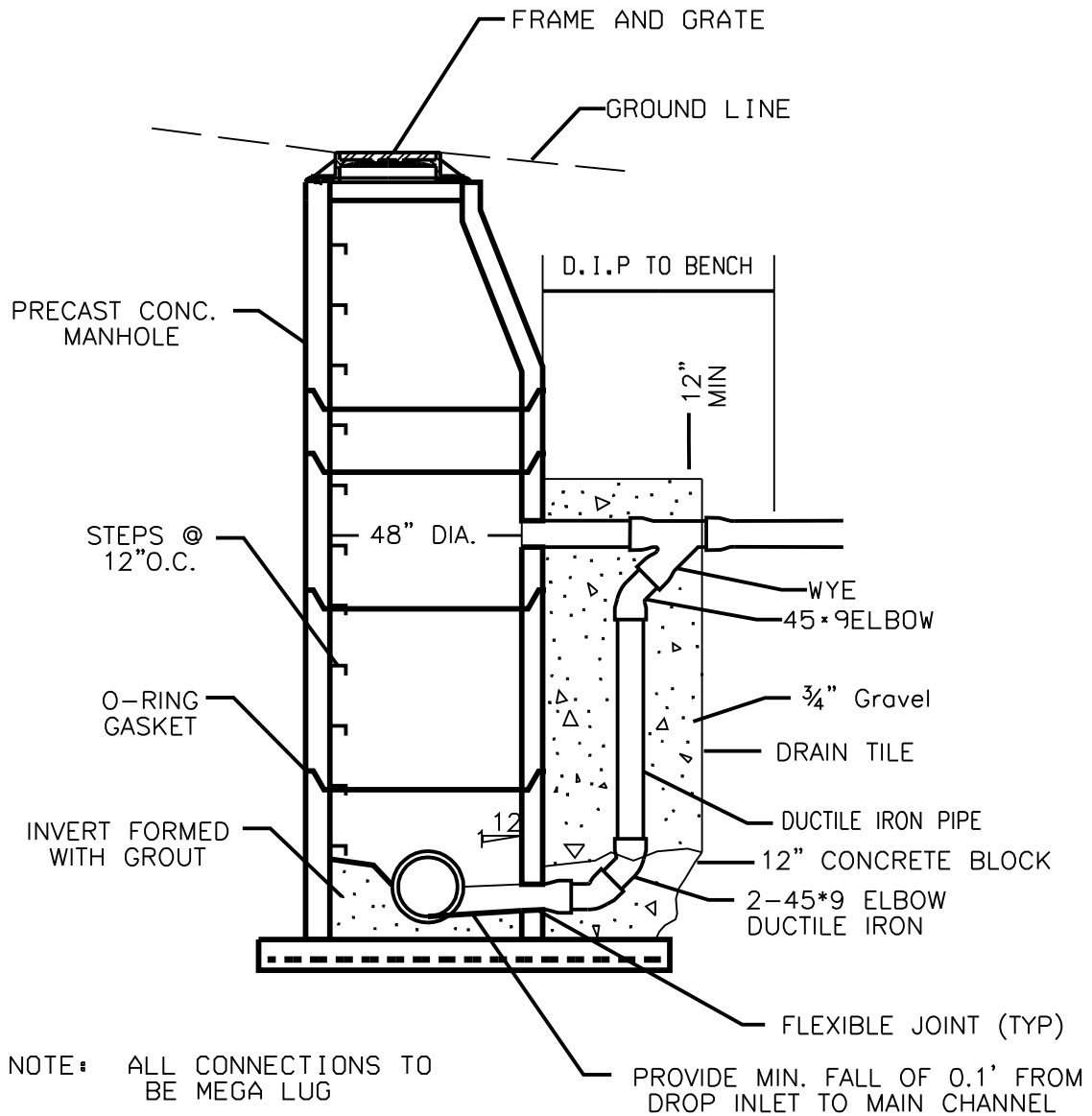


# TYPICAL DROP MANHOLE



HALLSDALE POWELL UTILITY DISTRICT

STANDARD DRAWING NO. 11