

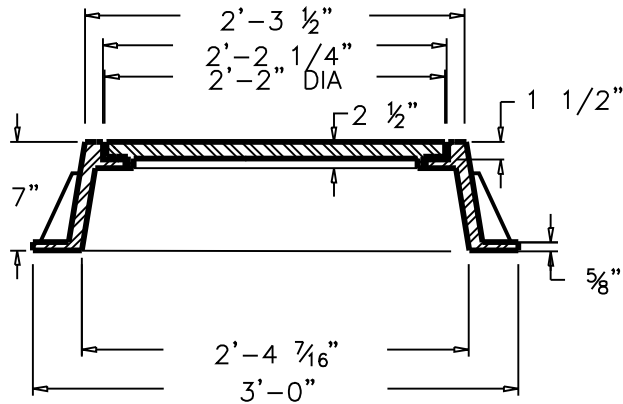
TYPICAL MANHOLE COVER



NOTE:

1. ALL LETTERS CAST FLUSH WITH TOP OF LID.
2. LID HAS 1/2" CROWN
3. SOLID COVER

PLAN



MIN. AVG. WEIGHT

RING	165 lbs.
COVER	150 lbs.
<hr/>	
TOTAL	315 lbs.

HALLSDALE POWELL UTILITY DISTRICT

STANDARD DRAWING NO. 10