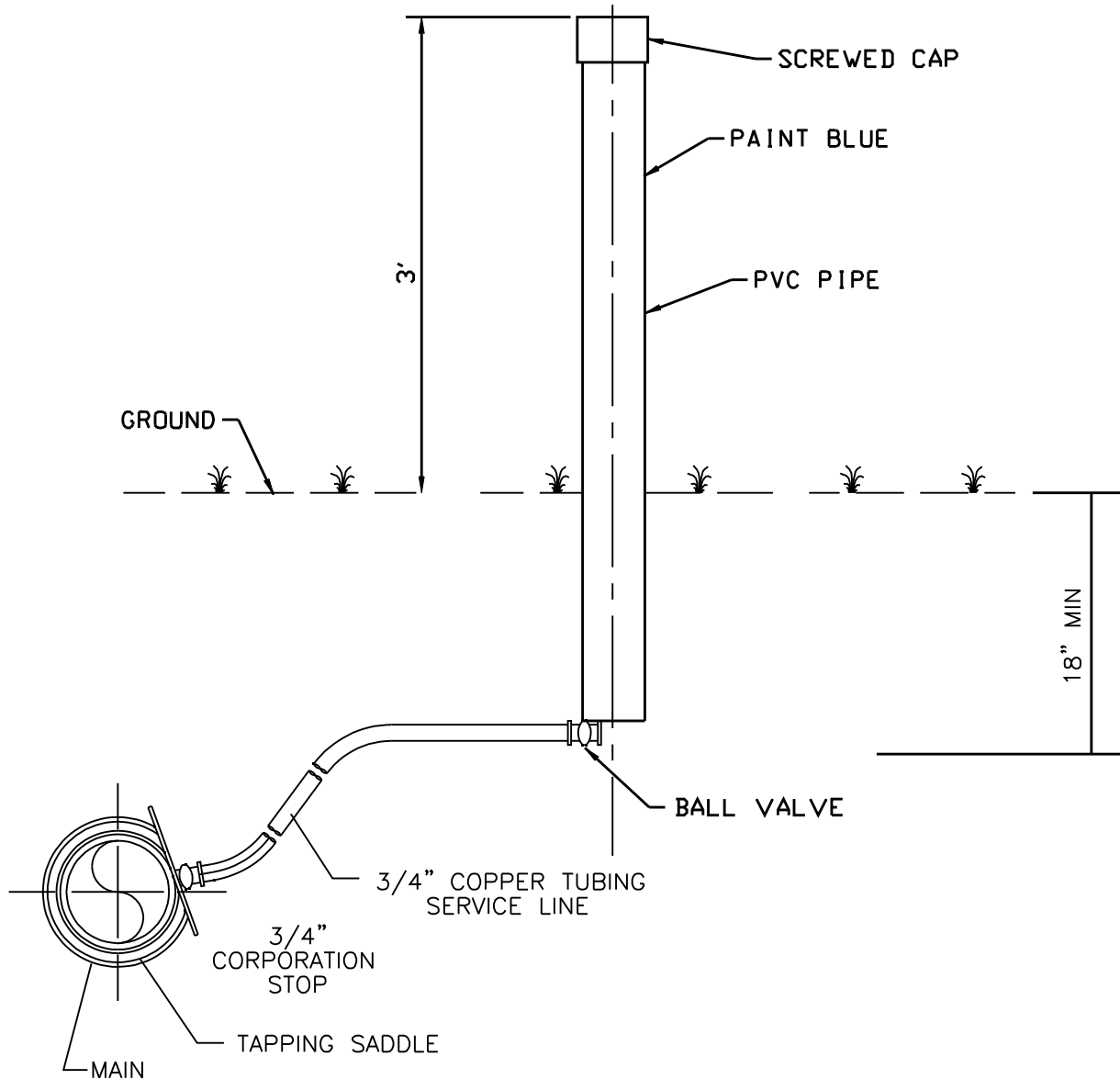


# SERVICE CONNECTION PRIOR TO SETTING METER



HALLSDALE POWELL UTILITY DISTRICT  
STANDARD DRAWING NO. 4