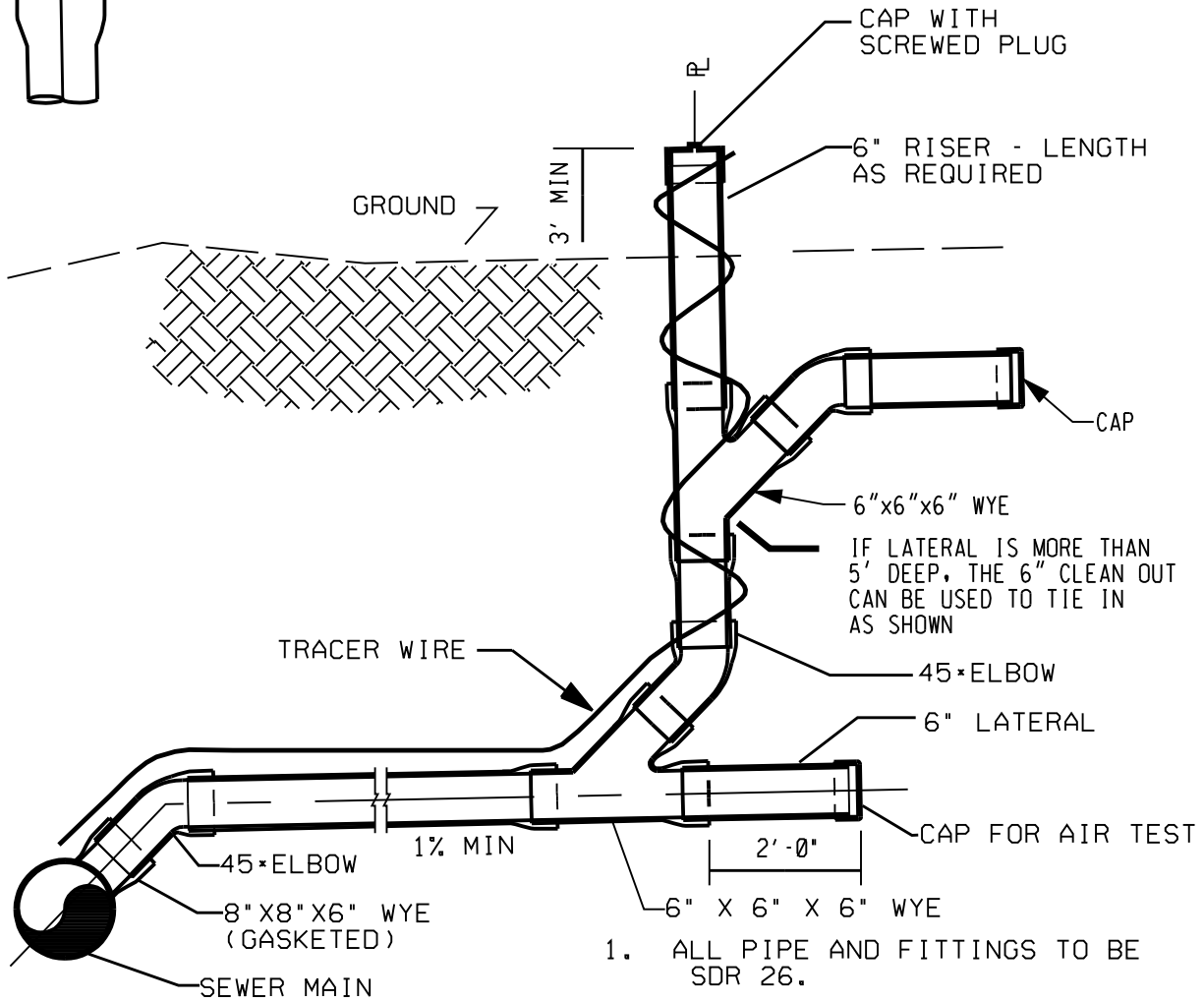
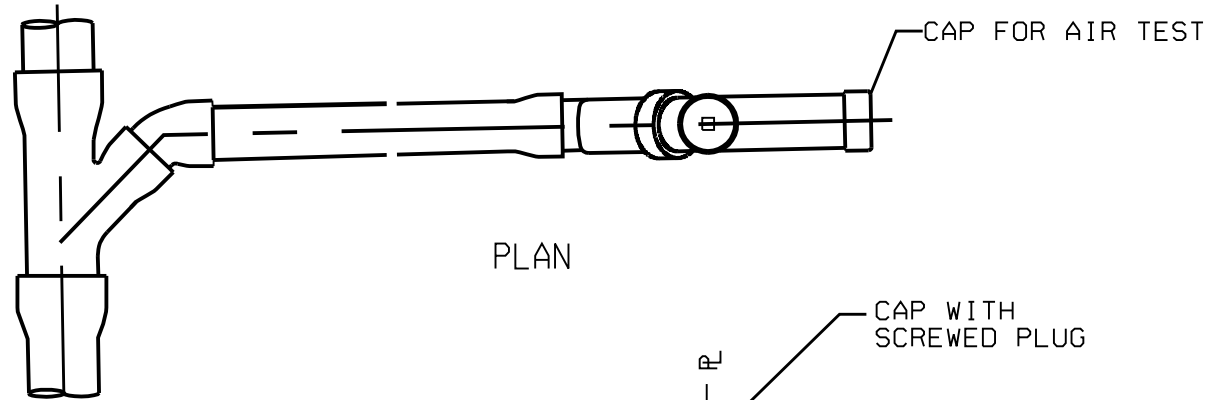


TYPICAL DETAIL-SEWER LATERAL INSTALLATION



SECTION

HALLSDALE POWELL UTILITY DISTRICT

STANDARD DRAWING NO. 15